

DOUBLE ACTING

RD Series

10-500 Ton

Double Acting, Hydraulic Return



CYLINDERS

HIGH TONNAGE PREMIUM DESIGN FOR HIGH CYCLE LIFE.

- Perfect for bridge lifting, building reconstruction, shipyard, utility and mining equipment maintenance.
- Aluminum bronze overlay bearings provide long life.
- Chrome plated piston rod resists corrosion.
- Load cap snaps out to expose internal piston rod threads for pulling applications; threads withstand full tonnage.
- Grooved ring pattern in load cap helps guard against load slippage.
- Each cylinder has two 9796 3/8" NPTF female half couplers.
- Built-in safety relief valve prevents over-pressurization of the retract circuit.
- Feature mounting holes and collar threads.



Four special order 500 ton, 24" stroke cylinders used in a swaging press for crimping 3 1/2" wire rope.



RD10013

ASME B30.1
10,000 PSI

RD Series Performance,
see page 233.

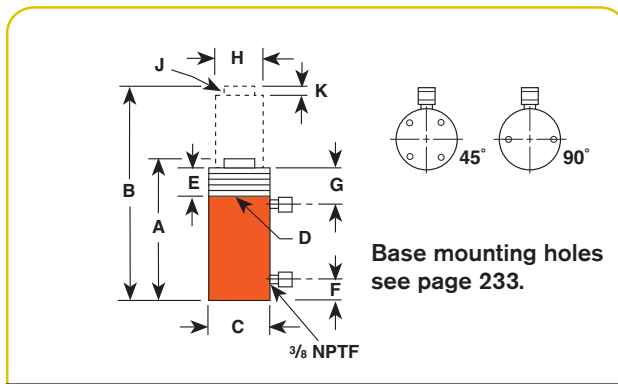
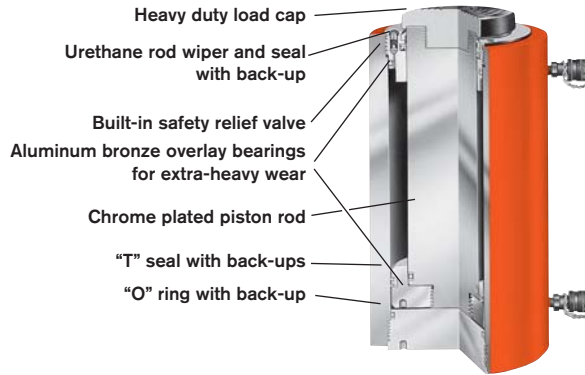


RD300



RD556

Features of RD Series Cylinders



Threads withstand full load.



Cyl. Cap. (tons)	Stroke (in.)	Order No.	Oil Capacity (cu.in.)	Capacity		Re-tracted Height (in.)	Ex-tended Height (in.)	Out-side Dia. (in.)	Collar Thread Size (in.)	Thread Length (in.)	Base to Port (in.)	Cylinder Top to Port (in.)	Rod Dia. (in.)	Rod Int. Thread & Depth (in.)	Piston Rod Pro-tusion (in.)	Load Cap		Cyl. Eff.		Int. Press.		Tons at 10,000 psi		Prod. Wt. (lbs)
				Push	Pull											Push	Pull	Push	Pull	Push	Pull	Push	Pull	
10	4	6 1/4	RD106	139	5.5	11 11/16	17 15/16	3	2 3/4-12	1 5/8	1	2 1/2	1 5/16	1-8x1	1/4	1 3/8	1 11/16	223	0.88	8,943	9,055	11.2	4.4	22
10	4	10	RD1010	223	8.8	15 11/16	25 11/16	3	2 3/4-12	1 5/8	1	2 1/2	1 5/16	1-8x1	1/4	1 3/8	1 11/16	223	0.88	8,943	9,055	11.2	4.4	28
25	8	6 1/4	RD256	322	10.1	12 25/8	18 25/8	4	4-12	1 5/8	1	2 1/2	2 1/8	1 1/2-16x1	3/8	2 1/8	2 9/16	5.15	1.61	9,695	9,934	25.8	8.0	39.8
25	8	14 1/4	RD2514	735	22.9	20 25/8	34 25/8	4	4-12	1 5/8	1	2 1/2	2 1/8	1 1/2-16x1	3/8	2 1/8	2 9/16	5.15	1.61	9,695	9,934	25.8	8.0	65
55	28	6 1/4	RD556	690	35.2	12 23/32	19 7/32	5	5-12	1 5/8	1 5/16	2 1/2	2 5/8	1 11/16-8X1 13/16	5/8	2 5/8	3 3/4	11.04	5.63	9,959	9,941	55.2	28.2	61.4
55	28	13 1/8	RD5513	1449	73.9	19 27/32	32 31/32	5	5-12	1 5/8	1 5/16	2 1/2	2 5/8	1 11/16-8X1 13/16	5/8	2 5/8	3 3/4	11.04	5.63	9,959	9,941	55.2	28.2	90
55	28	18 1/8	RD5518	2000	102.0	25 7/8	44	5	5-12	1 5/8	1 5/16	2 1/2	2 5/8	1 11/16-8X1 13/16	5/8	2 5/8	3 3/4	11.04	5.63	9,959	9,941	55.2	28.2	142
80	44	13 1/8	RD8013	2086	115.9	20 3/8	33 1/2	5 3/4	5 3/4-12	1 5/8	1 1/2	2 1/2	3	2-4 1/2x1 1/2	9/16	2 7/8	4 1/2	15.90	8.84	10,060	9,954	79.5	44.2	118
100	44	6 5/8	RD1006	1367	58.5	13 25/32	20 13/32	6 7/8	6 7/8-12	1 5/8	1 1/2	2 1/2	3 7/8	2 3/4-12x1 5/32	5/8	3 7/8	5 1/8	20.63	8.84	9,695	9,959	103.1	44.2	126
100	44	13 1/8	RD10013	2707	116.0	20 9/32	33 13/32	6 7/8	6 7/8-12	1 5/8	1 1/2	2 1/2	3 7/8	2 3/4-12x1 5/32	5/8	3 7/8	5 1/8	20.63	8.84	9,695	9,959	103.1	44.2	181
100	44	20 1/8	RD10020	4152	178.0	30 1/2	50 5/8	6 7/8	6 7/8-12	1 5/8	2 25/32	2 1/2	3 7/8	2 3/4-12x1 5/32	5/8	3 7/8	5 1/8	20.63	8.84	9,695	9,959	103.1	44.2	260
150	73	6 5/8	RD1506	2033	97.9	14 7/8	21 1/2	8 1/4	8 1/4-12	1 5/8	2	2 1/2	4 1/2	3 1/4-8x1 1/2	13/16	4 1/2	6 1/4	30.68	14.78	9,779	9,880	153.4	73.8	188
150	73	13 1/8	RD15013	4027	193.9	21 15/8	34 1/2	8 1/4	8 1/4-12	1 5/8	2	2 1/2	4 1/2	3 1/4-8x1 1/2	13/16	4 1/2	6 1/4	30.68	14.78	9,779	9,880	153.4	73.8	272
150	73	18 1/8	RD15018	5568	267.8	26 17/32	44 21/32	8 1/4	8 1/4-12	1 5/8	2	2 1/2	4 1/2	3 1/4-8x1 1/2	3/4	4 1/2	6 1/4	30.68	14.78	9,779	9,880	153.4	73.8	376
200	113	6 5/8	RD2006	2735	149.8	16	22 25/8	9 1/2	9 1/2-12	1 5/8	2 1/2	2 11/16	4 7/8	3 1/4-8x2 1/4	1 1/16	4 1/2	7 1/4	41.28	22.62	9,689	9,992	206.4	113.1	262
200	113	13 1/8	RD20013	5418	296.9	22 1/2	35 5/8	9 1/2	9 1/2-12	1 5/8	2 1/2	2 11/16	4 7/8	3 1/4-8x2 1/4	1 1/16	4 1/2	7 1/4	41.28	22.62	9,689	9,992	206.4	113.1	356
200	113	18 1/8	RD20018	7482	409.9	28 1/2	46 5/8	9 1/2	9 1/2-12	1 5/8	2 1/2	2 11/16	4 7/8	3 1/4-8x2 1/4	1 1/16	4 1/2	7 1/4	41.28	22.62	9,689	9,992	206.4	113.1	442
300	147	6	RD3006	3610	177.0	17 9/32	29 9/32	10 3/4	10 1/2-12	2 3/8	3 3/8	3 3/8	6 1/4	2 1/2-12x3 1/4	1 1/8	6 7/8	8 3/4	60.13	29.45	9,978	10,000	300.7	147.3	380
300	147	13	RD30013	7820	383.0	24 13/16	37 13/16	10 3/4	10 1/2-12	2 3/8	3 3/8	3 3/8	6 1/4	2 1/2-12x3 1/4	1 1/8	6 7/8	8 3/4	60.13	29.45	9,978	10,000	300.7	147.3	654
400	186	6	RD4006	4710	247.0	19 9/32	29 9/32	12 5/8	12 1/2-8	2 3/4	3 27/32	3 27/32	7 1/4	3-12x3 3/4	1 1/4	7 13/16	10	78.54	37.26	10,185	10,000	392.7	186.3	585
400	186	13	RD40013	10210	536.0	26 9/32	39 9/32	12 5/8	12 1/2-8	2 3/4	3 27/32	3 27/32	7 1/4	3-12x3 3/4	1 1/4	7 13/16	10	78.54	37.26	10,185	10,000	392.7	186.3	770
500	245	6	RD5006	5960	295.0	20 9/16	26 9/16	14 3/4	14 3/4-8	3 1/8	4 5/32	4 5/32	8	3 1/4-12x4 1/4	1 1/2	8 1/2	11 1/4	99.40	49.14	10,060	10,000	497.0	245.6	819
500	245	13	RD50013	12920	639.0	27 9/16	40 9/16	14 3/4	14 3/4-8	3 1/8	4 5/32	4 5/32	8	3 1/4-12x4 1/4	1 1/2	8 1/2	11 1/4	99.40	49.14	10,060	10,000	497.0	245.6	1092