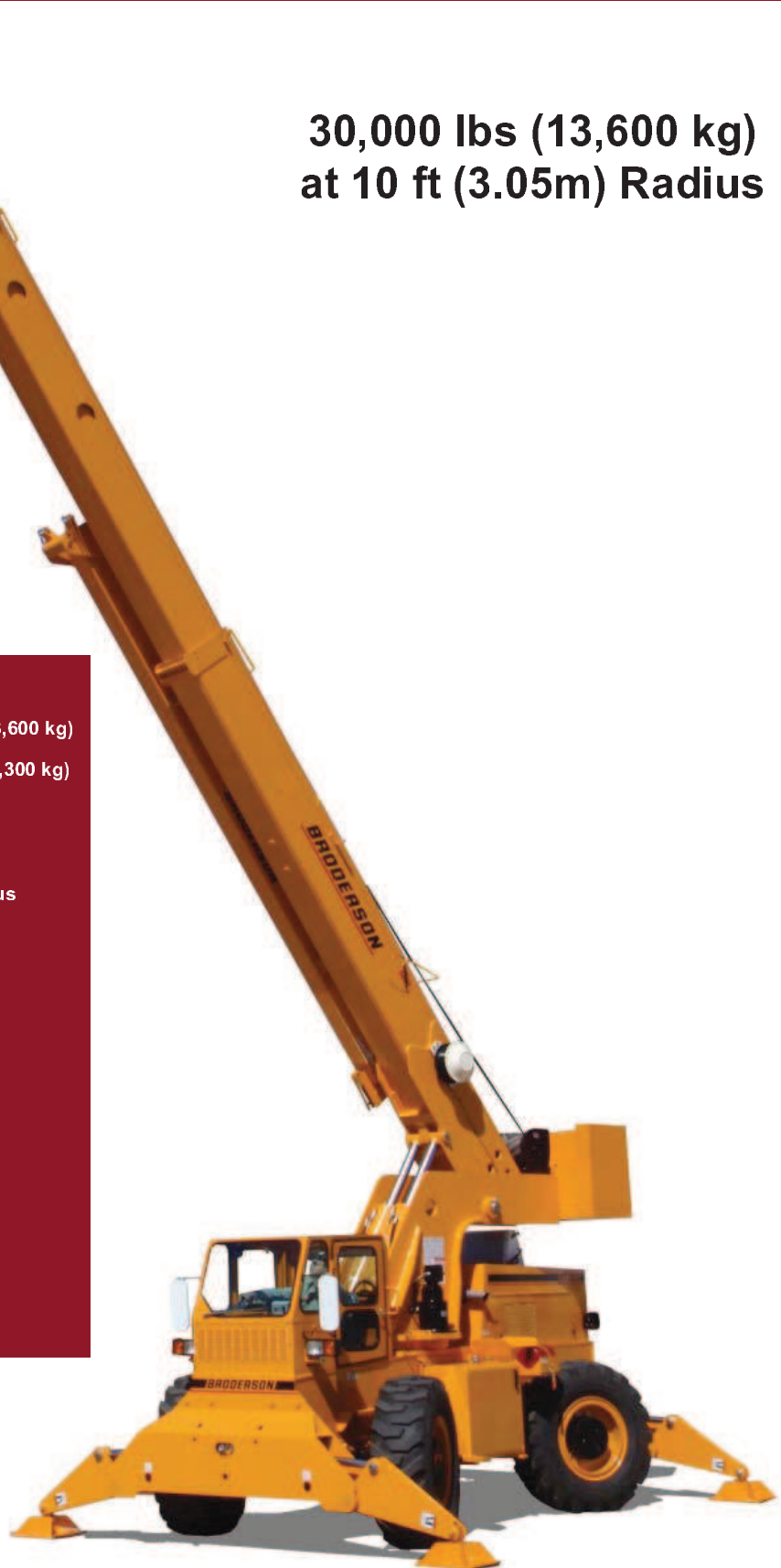


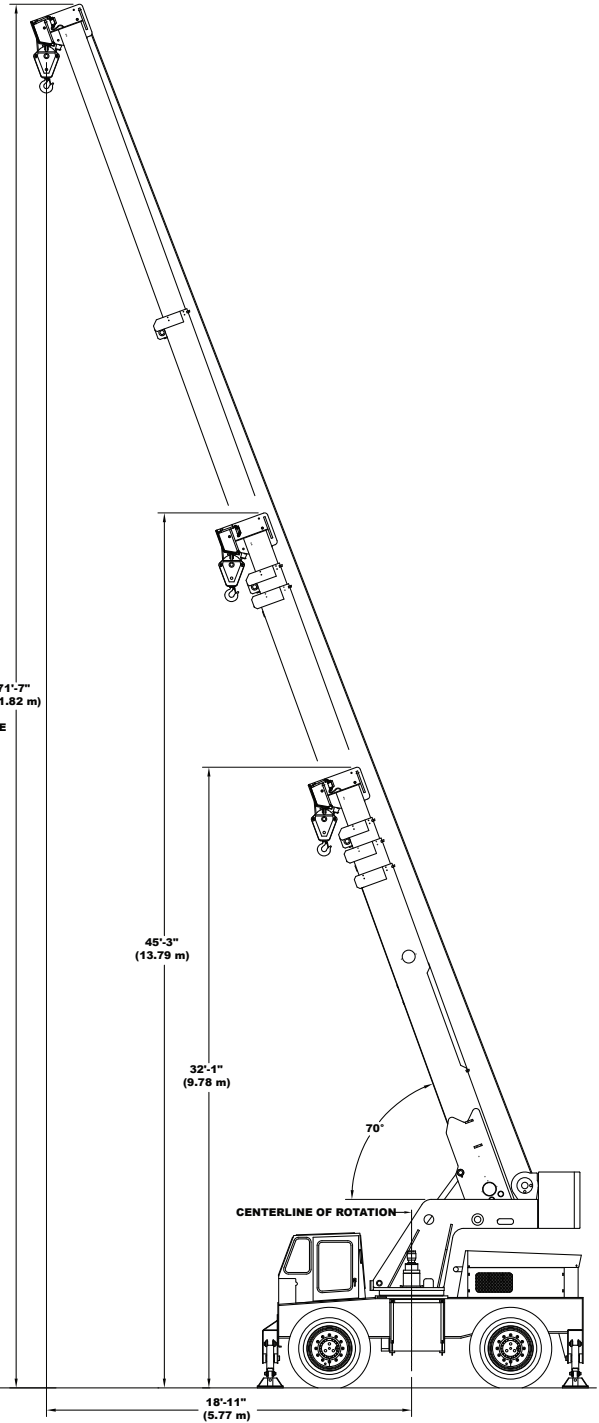
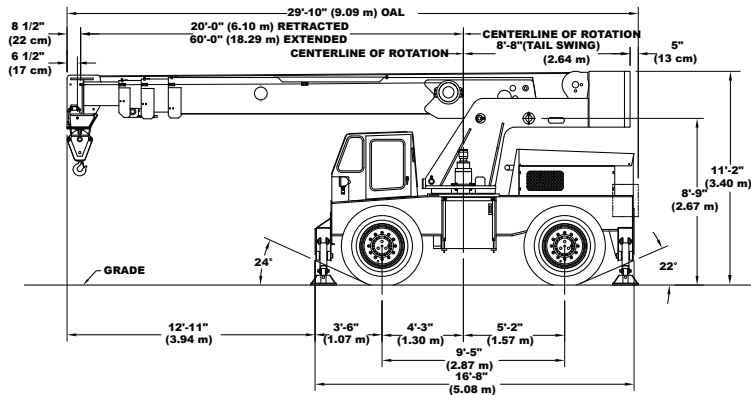
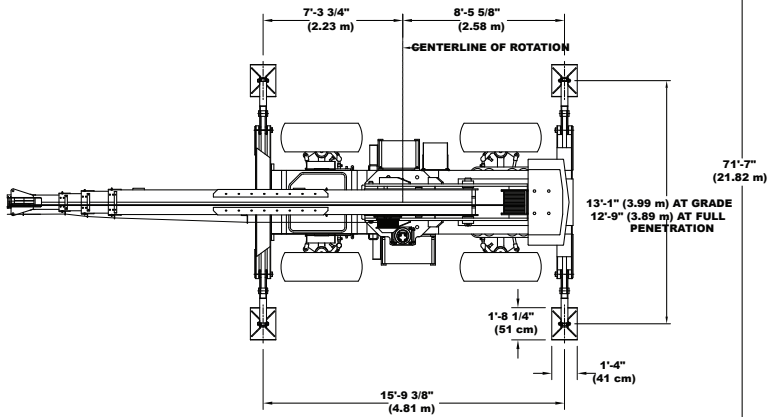
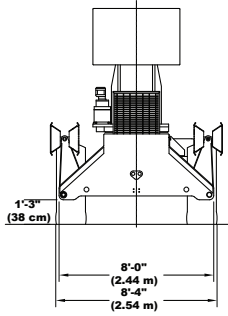
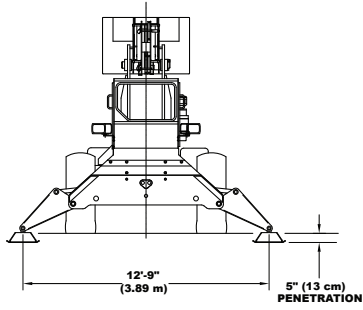
**30,000 lbs (13,600 kg)  
at 10 ft (3.05m) Radius**

- Rated Capacity Limiter ... Standard
- Capacity on Outriggers ... 30,000 lbs (13,600 kg)
- Pick and Carry Capacity ... 18,300 lbs (8,300 kg)
- Height ... 11' 2" (3.4 m)
- Width ... 8' 2" (2.49 m)
- Boom Rotation ... 360 Degree Continuous
- Sheave Height ... up to 87' 11" (26.8 m)
- Horizontal Reach ... up to 80' (24.38 m)
- 4-Wheel Steer ... Standard
- 4-Wheel Drive ... Standard
- Powershift Transmission ... Standard
- Fully Hydraulic Controls for Smooth Precise Operations
- Independent Outrigger Controls
- Diesel Engine ... Standard

**BRODERSON**  
*Manufacturing Corp.*



# RT-300-2F



# RT-300-2F

## Specifications

### GENERAL:

<b>Weight:</b>	
<b>Total</b>	45,330 lbs (20,560 kg)
Front Axle	22,930 lbs (10,400 kg)
Rear Axle	22,400 lbs (10,160 kg)
<b>Angle of Approach</b>	24 Degrees
<b>Angle of Departure</b>	22 Degrees
<b>Gradeability</b>	70 Percent Grade (35 degrees)
<b>Turning Radius: 4-Wheel Steer:</b> (Min.)	
Outside Tire C/L Radius	15 Feet 7 Inches (4.75 m)
Vehicle Clearance Circle (Dia.)	35 Feet 2 Inches (20.73 m)
<b>Drawbar Pull</b>	30,000 pounds (13,600 kg)
<b>Road Speed</b>	23 Miles Per Hour (37 km/h)

### ENGINE:

<b>Make</b>	Cummins
<b>Model</b>	QSB 4.5 Turbo, U.S. EPA Tier 3 Certified
<b>Type</b>	Turbo Diesel, Charge Air Cooled
<b>C.I.D.</b>	4.5L
<b>Max. Torque</b>	460 ft lbs ( 624 Nm) @ 1500 rpm
<b>Rated HP</b>	160 hp (119 kw) @ 2500 rpm
<b>Fuel Tank</b>	50-Gallon (190L) Capacity

### TRANSMISSION

6-Speed Powershift with Torque Converter, Oil Cooler and Oil Filter

### AXLES:

<b>Front and Rear Axles:</b>	
Gear Ratio	16.42:1

### BRAKES:

- Service** - 4-Wheel drum type with hydraulic booster
- Parking** - Spring-applied and hydraulically-released mounted on transmission

### STEERING:

Hydraulic steering unit with two 3.5 inch (8.9 cm) cylinders attached to each axle. Allows limited steering when engine is not running. A switch on the control panel is used to select front-wheel steering, 4-wheel steering or crab steering. Electronic sensors and control box automatically align the steering when a new mode is selected.

### TIRES:

**Standard** - 17.5 x 25, 20-Ply Rating Mud Lug.

### CHASSIS:

**Outriggers:**  
Four independently controlled swingdown design outriggers. The hydraulic cylinders are equipped with direct-connected holding valves.

### OPERATOR COMPARTMENT:

Operator control station provides one-position access to all chassis and crane controls.

#### All Weather Cab

Consists of rigid-mounted canopy section and two removable hinged doors. Includes heater with 2-speed fan, 12-volt electric windshield wiper. Defroster fan included.

### ELECTRICAL SYSTEM:

#### 12-Volt DC System

#### Instrument Group:

Fuel, transmission oil temperature, voltmeter, engine oil pressure, water & hydraulic oil temperature gauges, & hourmeter.

#### Lighting Kit

Includes dual-beam headlights with turn signal lights. Taillights with brake & turn signal lights. Back-up lights.

#### Back-Up Alarm:

Provides pulsating sound from 97 dB alarm when ignition is on & transmission is in reverse.

#### Outrigger Alarm System:

112 dB alarm with alternating two-tone alarm is activated when "outrigger down" controls are operated.

### HYDRAULIC SYSTEM:

Triple vane pump, mounted & driven by main transmission. Rated 9, 26 & 44 gpm (53, 106 & 151L/min) at 3,000 psi (207 bar) at 2,500 RPM engine speed. Hydraulic oil tank capacity of 70 gallons (265 L).

### BOOM ASSEMBLY:

	Boom Movement	Boom Speeds
<b>Rotation</b>	Continuous	3.3 RPM
<b>Elevation</b>	0 - 70 Degrees	19 Seconds
<b>Extension</b>	40 ft (12.19 m)	24 Seconds

#### Boom Assembly:

Boom assembly equipped with bearing pads. Double-acting hydraulic cylinders, equipped with a holding valve, extend & retract the second and third boom sections. Double runs of high strength leaf chain extend & retract the fourth section. Boom angle indicator included on left side of boom. Twin, double-acting hydraulic cylinders control the boom elevation & are equipped with direct-connected holding valves.

#### Boom Rotation:

A heavy-duty ball bearing rotation gear with external teeth. Rotation is powered by the hydraulic motor and compound planetary gear drive. Spring-applied, hydraulically released brake and an overrunning load valve are provided. Hydraulic centerpost and electric slip rings allow continuous rotation.

#### Boom Hoist:

##### Turret Mounted

##### Hydraulic Powered

<b>Bare Drum Line Pull</b>	13,100 lbs (5,940 kg)
<b>Wire Rope</b>	350 ft (107 m) of 9/16 in (14.3 mm) dia.

##### Line Speed:

Bare Drum	185 fpm (56 m/min)
Full Drum	240 fpm (72 m/min)

#### 4-Part-Line Sheave Block:

Double sheave block for four-part-line requirement. Downhaul weight and hook also included.

#### Anti-Two-Block Device:

Prevents damage to hoist rope and/or machine components from accidentally pulling load hook against boom tip.

#### Rated Capacity Limiter:

Warns operator of impending overload with audible & visual signals. In the event of overload, stops boom functions that increase overloads. Displays boom length, angle, load radius, load & capacity.

# **RT-300-2F**

## **Options**

Listed below are brief descriptions of options available for this product.  
Consult the RT-300-2F Engineering Spec for additional information.

### **TIRE OPTIONS:**

Spare Wheel & Tire:  
17.5 x 25, 20-Ply Tire

### **CHASSIS OPTIONS:**

#### **Fenders**

Four bolt on steel fenders over tires.

#### **Auxiliary Front Winch**

Planetary gear winch mounted on front outrigger frame, with single-lever control on the operator console. Operator Guard required.

#### **Lifting Eyes**

Lifting eyes on corners of the chassis and the turntable so slings can be attached for lifting crane.

#### **Towing Eyes**

Consists of four eyes, two on the front and two on rear for towing.

#### **Pintle Hook, Front**

Pintle hook mounted on the front outrigger housing, 24-ton capacity.

#### **Pintle Hook, Rear**

Pintle hook mounted on the rear outrigger housing, 24-ton capacity.

### **OPERATOR COMPARTMENT OPTIONS:**

#### **Window Wiper - Top Window**

12-volt electric wiper on top window operated with its own switch.

#### **Operator Guard**

Tubular steel weldment with heavy expanded steel mesh top & grille front section.

#### **Operator Suspension Seat**

##### **Seats Inc. - Cloth**

Full-suspension with adjustments for height, tilt, fore/aft, operator weight with armrest angle adjustment.

#### **Operator Suspension Seat**

##### **Seats Inc. - Vinyl**

Full-suspension with adjustments for height, tilt, fore/aft, operator weight with armrest angle adjustment.

#### **Floor Mat**

Vinyl mat with foam backing.

#### **Air Conditioning**

Air Conditioning with R134 coolant.

### **ELECTRICAL OPTIONS:**

#### **Strobe Light**

Yellow strobe light mounted on top of engine hood for high visibility.

#### **Boom Work Lights**

One halogen work light mounted to boom to light boom tip and one work light mounted to turret to light ground under boom tip.

### **BOOM ATTACHMENT OPTIONS:**

#### **20-Ft. Offsettable Boom Extension**

Boom stowable. Offsets include 0 (in-line), 15 or 30 degree.

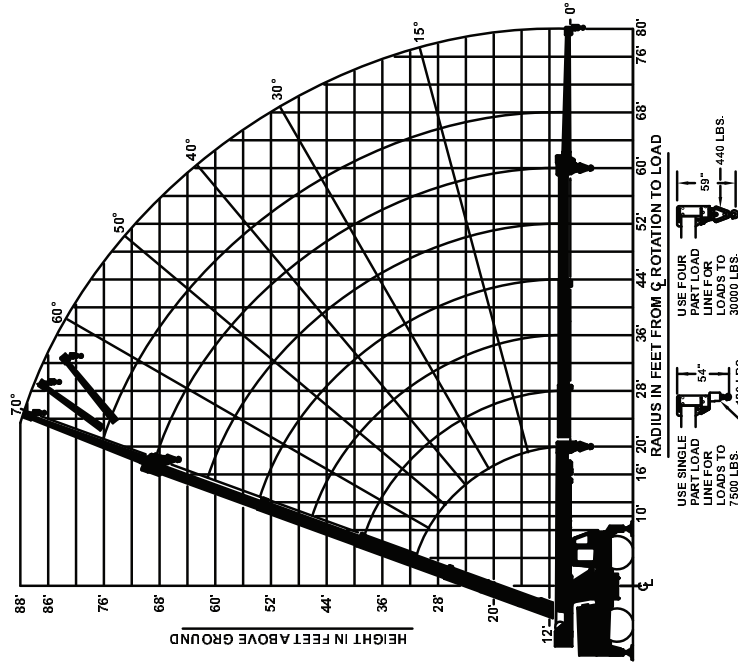
Should you require an option or special equipment not listed please consult your dealer salesperson or BMC®.

**BRODERSON**  
**Manufacturing Corp.**  
14741 West 106th Street  
Lenexa, KS 66215 USA

Tel (913) 888-0606  
Fax (913) 888-8431  
www.bmccranes.com

Dimensions and values shown are  
for reference purposes only.  
Specifications subject to change.





LOAD RADIUS FEET	CAPACITIES APPLY TO OPERATION ON FIRM LEVEL SURFACE					
	360° ROTATION			OVER FRONT		
	ON RUBBER	ON OUTRIGGERS	ON RUBBER	ON RUBBER	ON OUTRIGGERS	ON RUBBER
10	18300	30000	26300	30000	30000	28500
12	13500	28500	22500	25900	25900	22500
14	10400	25900	17600	22500	22500	19500
16	8300	22500	14000	19500	19500	17000
18	6700	19500	11400	16900	16900	15000
20	5500	16900	9400	14200	14200	13300
22	4500	14200	7900	12100	12100	11900
24	3700	12100	6600	10500	10500	10600
26	3100	10500	5700	9100	9100	9800
28	2500	9100	4800	7900	7900	8600
30	2000	7900	4200	6900	6900	8000
32	1600	6900	3600	6300	6300	7500
34	1400	6300	3200	5700	5700	6900
36	1200	5700	2900	5200	5200	6500
38	900	5200	2600	4800	4800	6000
40	800	4800	2400	4400	4400	5600
42	600	4400	1900	3900	3900	4900
44	500	3900	1600	3500	3500	4200
46	400	3500	1300	3100	3100	3700
48	300	3100	1000	2700	2700	3200
50	200	2700	800	2300	2300	2800
52	150	2300	600	1950	1950	2300
54	100	1950	400	1750	1750	2250
56	80	1750	300	1500	1500	1950
58	60	1500	200	1300	1300	1800
60	40	1300	1000	1000	1000	1800

DO NOT POSITION BOOM AT LOAD RADI WHERE NO LOAD CAPACITIES ARE SHOWN.

BOOM EXTENSION OFFSET ANGLE	20-FOOT BOOM EXTENSION CAPACITIES					
	0°	15°	30°	40°	50°	70°
0°	2300	2400	2700	3100	3700	4500
15°	---	2300	2400	2600	2900	3400
30°	---	---	2300	2400	2500	2700

CAUTION: BOOM EXTENSION LOADS MUST NOT EXCEED MAIN BOOM CAPACITY.

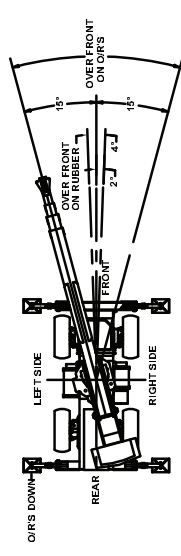
LOAD RADIUS IS THE HORIZONTAL DISTANCE FROM CENTER OF ROTATION TO THE VERTICAL LOAD LINE WITH LOAD APPLIED. LOAD HOOKS, DOWNHAUL WEIGHTS, HOOK BLOCKS AND OTHER LOAD HANDLING DEVICES SHALL BE CONSIDERED PART OF THE LOAD EXCEPT FOR HOIST ROPE.

BOOM EXTENSION DEDUCT: 500 LBS. WHEN STOWED ON BASE BOOM. CAPACITIES ON OUTRIGGERS ARE 85% OF TIPPING LOADS. CAPACITIES ON RUBBER ARE 75% OF TIPPING LOADS. CAPACITIES BELOW BOLD LINES ARE LIMITED BY TIPPING. OTHER CAPACITIES ARE LIMITED BY STRUCTURAL OR HYDRAULIC CAPACITY.

THE BOOMS ON THIS UNIT ARE ALL STEEL AND HAVE NO LINE VOLTAGE RATING - NO ELECTRICAL INSULATION VALUE.

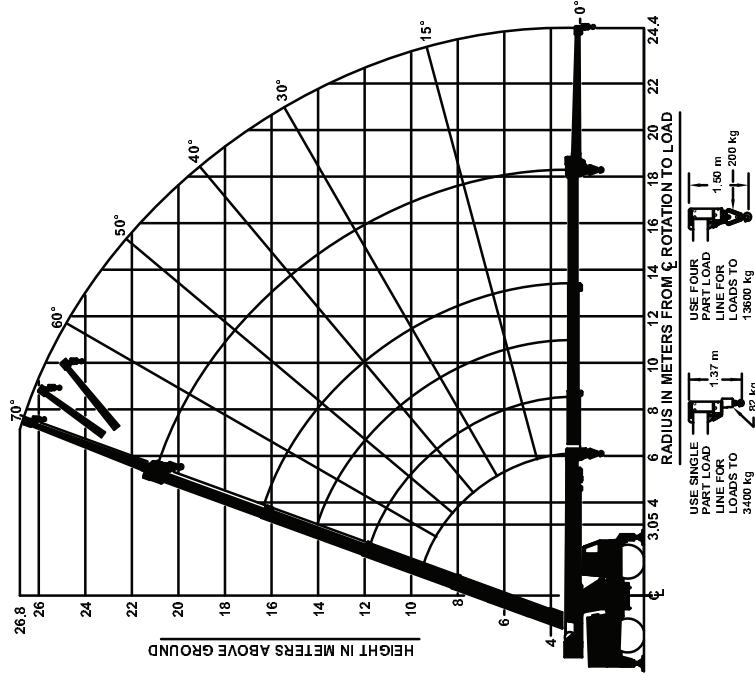
MAXIMUM HYDRAULIC PRESSURE - 3000 PSI.

- OPERATION:
1. READ AND UNDERSTAND OWNERS MANUAL BEFORE OPERATING.
  2. CHECK LEVEL OF HYDRAULIC OIL AND ENGINE OIL DAILY.
  3. CHECK UNIT FOR VISIBLE DEFECTS AND LOOSE PARTS DAILY.
  4. OUTRIGGERS MUST ALL BE SET ON SOLID SURFACE.
  5. AVOID QUICK STARTS AND STOPS WITH HYDRAULIC CONTROLS.
- PICK AND CARRY ON RUBBER CAPACITIES ARE FOR SMOOTH, LEVEL PAVED SURFACE. FOR UNPAVED SURFACE REDUCE CAPACITY BY AT LEAST 25%.



THE LOAD HOIST LINE ON THIS UNIT MUST BE 9/16" DIA. 6 X 36-EP-RR-L-HWRC WIRE ROPE (OR EQUIVALENT) WITH A MINIMUM BREAKING STRENGTH OF 33,600 LBS. TIRE PRESSURE 100 PSI FOR 17.5-25 20PR.

# Metric



LOAD RADIUS METERS	CAPACITIES APPLY TO OPERATION ON FIRM LEVEL SURFACE		360° ROTATION		ON RUBBER		ON OUTRIGGERS	
	ON RUBBER	ON OUTRIGGERS	ON RUBBER	ON RUBBER	ON RUBBER	ON RUBBER	ON RUBBER	ON OUTRIGGERS
3.05	8300	13600	13160	10700	11900	13600	13160	13600
3.5	6540	10700	10700	8940	10700	12290	10700	12290
4	5310	12290	12290	8940	8940	11160	11160	11160
4.5	4320	11160	11160	7290	7290	10820	10820	10820
5	3600	10820	10820	6080	6080	9920	9920	9920
5.5	3020	8820	8820	5150	5150	8820	8820	8820
6	2570	7870	7870	4390	4390	7870	7870	7870
7	1850	6930	6930	3340	3340	6410	6410	6410
8	1370	4680	4680	2520	2520	5320	5320	5320
9	960	3700	3700	1970	1970	4460	4460	4460
10	690	3020	3020	1540	1540	3770	3770	3770
11	540	2570	2570	1310	1310	3390	3390	3390
12	370	2230	2230	1120	1120	3000	3000	3000
13	300	1960	1960	930	930	2670	2670	2670
13.4	270	1860	1860	860	860	2540	2540	2540
14	240	1720	1720	780	780	2380	2380	2380
15	210	1530	1530	680	680	2120	2120	2120
16	180	1380	1380	570	570	1870	1870	1870
17	150	1230	1230	460	460	1690	1690	1690
18	120	1080	1080	380	380	1500	1500	1500
18.3	1040	1040	1040	360	360	1450	1450	1450
19	940	940	940	340	340	1400	1400	1400
20	840	840	840	320	320	1350	1350	1350
22	670	670	670	280	280	1200	1200	1200
24	500	500	500	240	240	1050	1050	1050
24.4	450	450	450	220	220	970	970	970

DO NOT POSITION BOOM AT LOAD RADI WHERE NO LOAD CAPACITIES ARE SHOWN.

BOOM EXTENSION OFFSET ANGLE	6.1 m BOOM EXTENSION CAPACITIES						
	0°	15°	30°	40°	50°	60°	70°
0°	1040	1090	1220	1400	1680	2170	2810
15°	1040	1090	1180	1310	1540	1860	2380
30°	1040	1090	1130	1220	1400	1720	2120

CAUTION: BOOM EXTENSION LOADS MUST NOT EXCEED MAIN BOOM CAPACITY.

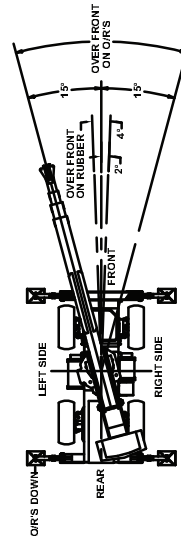
LOAD RADIUS IS THE HORIZONTAL DISTANCE FROM CENTER OF ROTATION TO THE VERTICAL LOAD LINE WITH LOAD APPLIED. LOAD HOOKS, DOWNHAUL WEIGHTS, HOOK BLOCKS AND OTHER LOAD HANDLING DEVICES SHALL BE CONSIDERED PART OF THE LOAD EXCEPT FOR HOIST ROPE.

BOOM EXTENSION DEDUCT: 225 kg WHEN STOWED ON BASE BOOM. CAPACITIES ON OUTRIGGERS ARE 85% OF TIPPING LOADS - ON RUBBER, 75% OF TIPPING CAPACITIES BELOW BOLD LINES ARE LIMITED BY TIPPING. OTHER CAPACITIES ARE LIMITED BY STRUCTURAL OR HYDRAULIC CAPACITY.

THE BOOMS ON THIS UNIT ARE ALL STEEL AND HAVE NO LINE VOLTAGE RATING - NO ELECTRICAL INSULATION VALUE. MAXIMUM HYDRAULIC PRESSURE - 207 bar

- OPERATION:
1. READ AND UNDERSTAND OWNERS MANUAL BEFORE OPERATING.
  2. CHECK LEVEL OF HYDRAULIC OIL AND ENGINE OIL DAILY.
  3. CHECK UNIT FOR VISIBLE DEFECTS AND LOOSE PARTS DAILY.
  4. OUTRIGGERS MUST ALL BE SET ON SOLID SURFACE.
  5. AVOID QUICK STARTS AND STOPS WITH HYDRAULIC CONTROLS.

PICK AND CARRY ON RUBBER CAPACITIES ARE FOR SMOOTH, LEVEL PAVED SURFACE. FOR UNPAVED SURFACE REDUCE CAPACITY BY AT LEAST 25%.



THE LOAD HOIST LINE ON THIS UNIT MUST BE 14.3 mm DIA. 6 X 36 EIP IWRC WIRE ROPE (OR EQUIVALENT) WITH A MINIMUM BREAKING STRENGTH OF 120 KN. TIRE PRESSURE 689 kPa FOR 17.5-25 20PR.

# Metric